



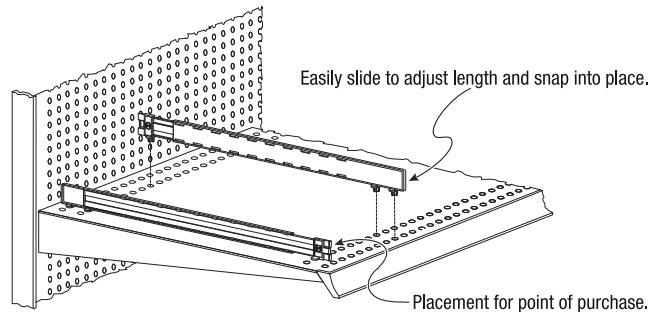
Stixx™

We simply make shelf management easier.



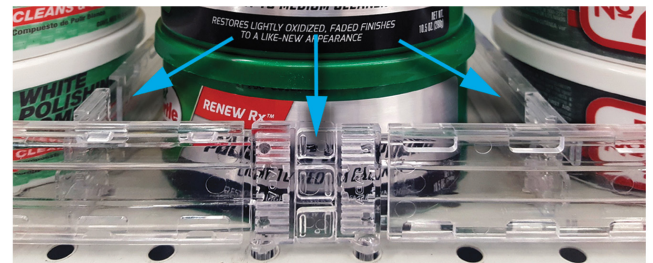
## Simply the Best Product for the Best Price

**JADA Stixx** is a new and innovative shelf management system designed to straighten, organize, and keep products in place on any standard metal gondola shelving. It doesn't matter if your shelves have circular, diamond, or square holes. Our unique patented pin configuration is designed to fit all major gondola shelving fixtures used in the retail market today.



## No Tools Required

Our product is reusable and adjustable to fit shelving from 8" to 24" in length. They are manufactured from MARVOLOY high clarity Acrylic Modified Styrene for outstanding reliability year after year. **2-WAY JADA Stixx** snap into place easily. There is no front rail required and there is no use of paste or double sided tape. Easily slide **2-WAY JADA Stixx** to length by hand, align the patented pins in your gondola shelf and gently snap into place. It's as simple as that.



2-WAY JADA Stixx-Long now have front rail capabilities, which allows for multiple fencing configurations.

### SPECIFICATIONS

Product Number	Fits Gondola Shelf	Length	Height	Width
JS2-WAY-S	8" to 12"	7-1/2"	1-1/4"	3/16"
JS2-WAY-L	14" to 22"	13-1/2"	1-1/4"	3/16"

JADA STIXX, LLC WARRANTS JADA STIXX AGAINST FAILURE DUE TO DEFECTIVE MATERIAL OR WORKMANSHIP FOR A PERIOD OF ONE YEAR FROM DATE OF PURCHASE. PROOF OF PURCHASE REQUIRED.



For information or to order please contact:

Dr. J

Phone: 315-559-7056

DoctorJ@JadaDevelopment.com